



US00D340777S

United States Patent [19]

[11] Patent Number: **Des. 340,777**

Choi et al.

[45] Date of Patent: **** Oct. 26, 1993**

[54] **PERSONAL SAFETY LIGHT**

4,332,007 5/1982 Gibstein et al. 362/103

[75] Inventors: **Robert S. Choi**, Landisville; **Kwai C. Kong**, Mount Joy; **Oong Choi**, Lancaster; **Thomas K. Geraty**, Havertown; **Philip G. Hope**, Lancaster, all of Pa.

FOREIGN PATENT DOCUMENTS

732663 6/1955 United Kingdom 340/321

[73] Assignee: **Vista Lite, Inc.**, Lancaster, Pa.

Primary Examiner—Susan J. Lucas
Attorney, Agent, or Firm—Burns, Doane, Swecker & Mathis

[**] Term: **14 Years**

[57] CLAIM

[21] Appl. No.: **733,404**

The ornamental design for a personal safety light, as shown and described.

[22] Filed: **Jul. 19, 1991**

[52] U.S. Cl. **D26/38; D10/114**

[58] Field of Search **D26/37-50; D10/114, 111; 362/103, 108, 157, 158, 183-191, 196, 197, 198, 199, 200, 202**

DESCRIPTION

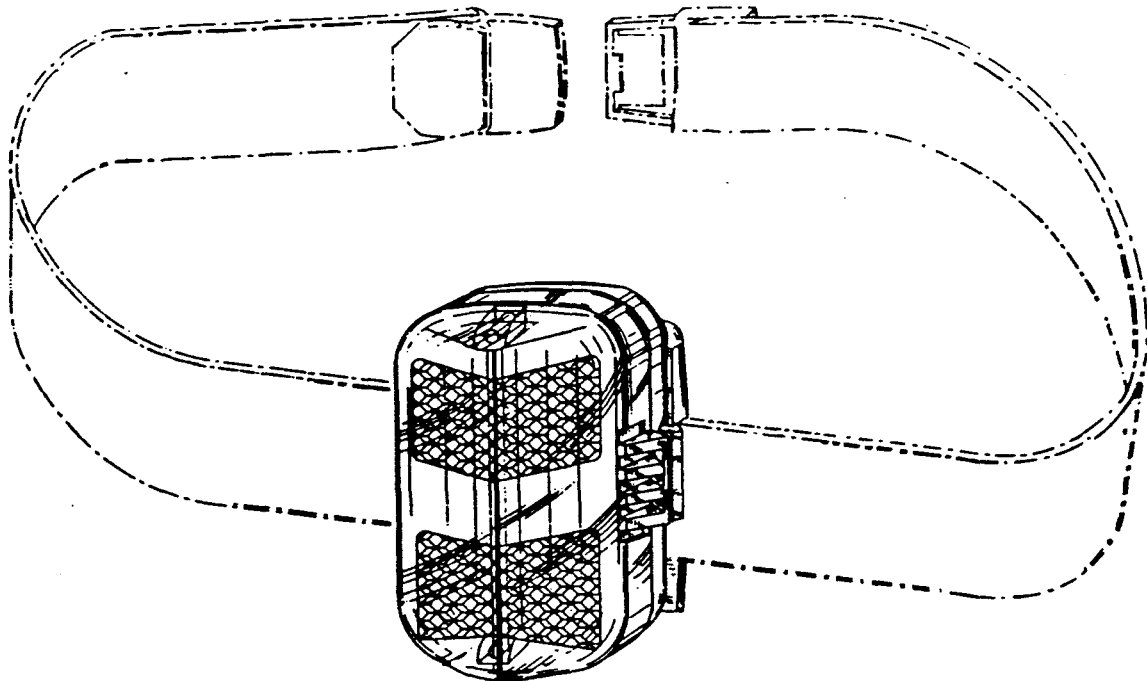
FIG. 1 is a perspective view of a personal safety light showing our new design;
FIG. 2 is a front elevational view thereof;
FIG. 3 is a rear elevational view thereof;
FIG. 4 is a top view thereof;
FIG. 5 is a bottom view thereof;
FIG. 6 is a left-side view thereof; and,
FIG. 7 is a right-side view thereof.

[56] References Cited

U.S. PATENT DOCUMENTS

D. 263,569 3/1982 Benoit D26/39
D. 267,787 2/1983 Braun D26/39 X
4,319,309 3/1982 Benoit 362/108

The strap is shown in broken lines for illustrative purposes only and forms no part of the claimed design.



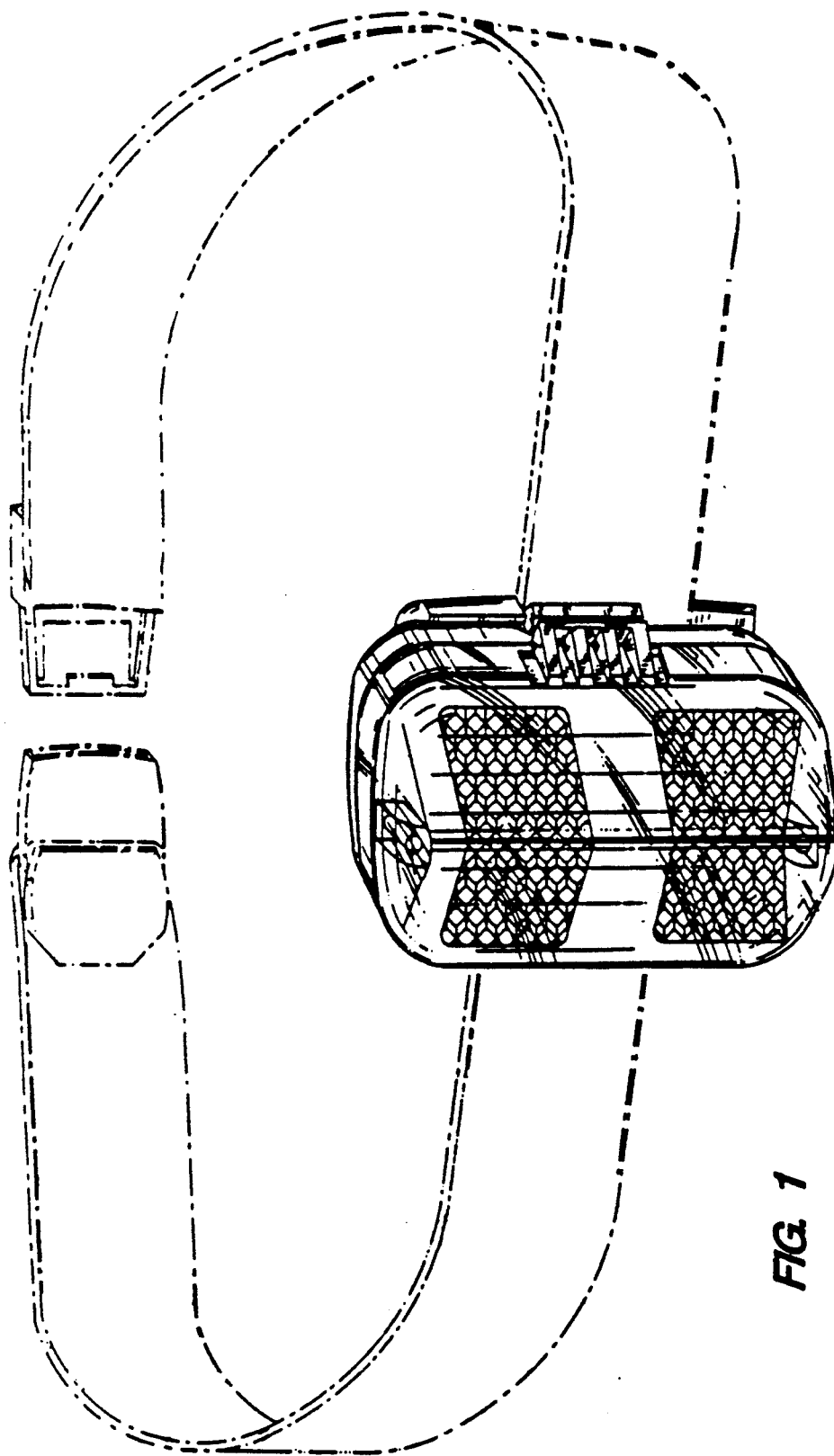


FIG. 1

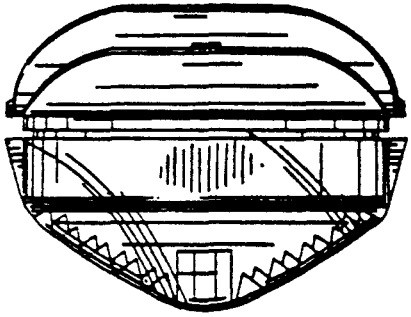


FIG. 4

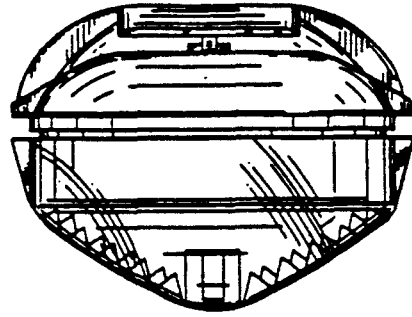


FIG. 5

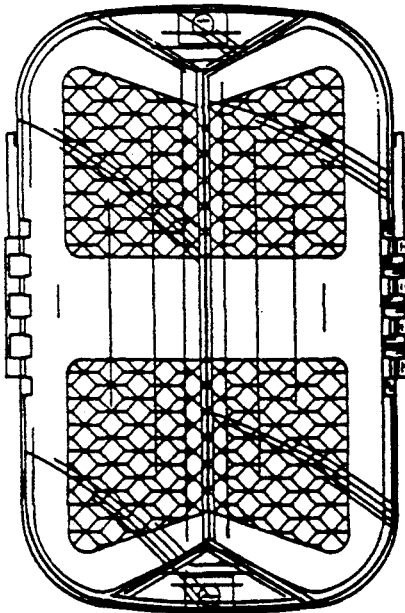


FIG. 2

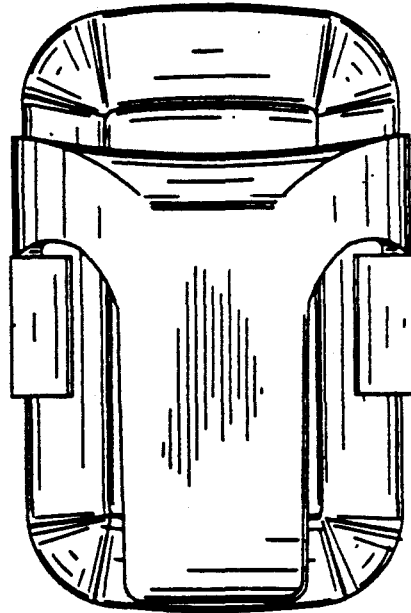


FIG. 3

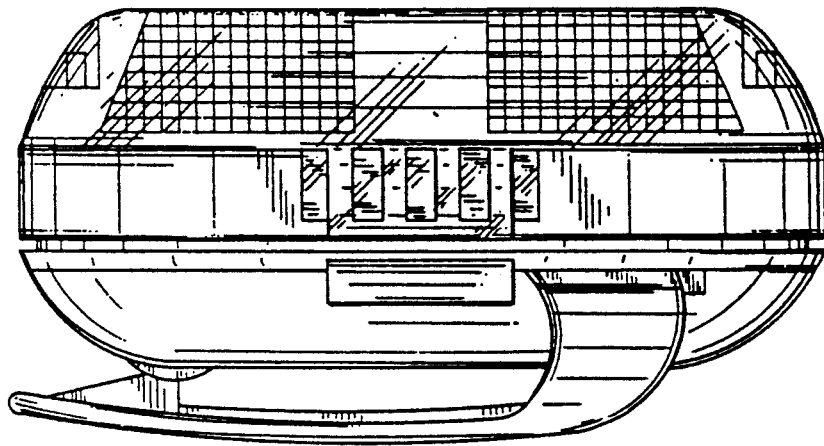


FIG. 6

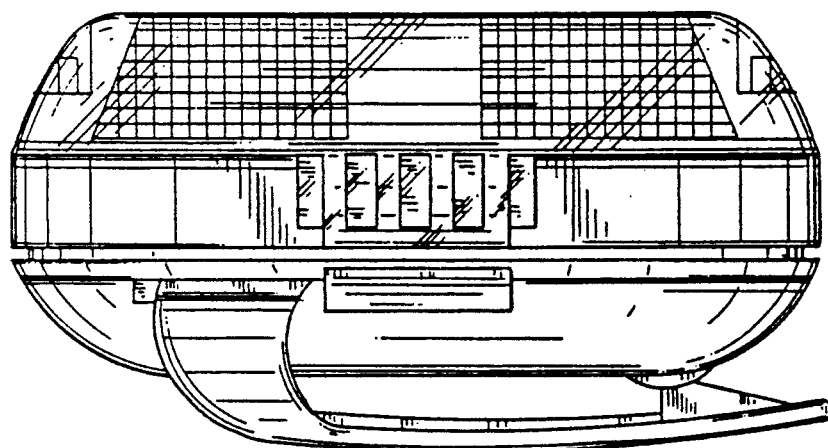


FIG. 7

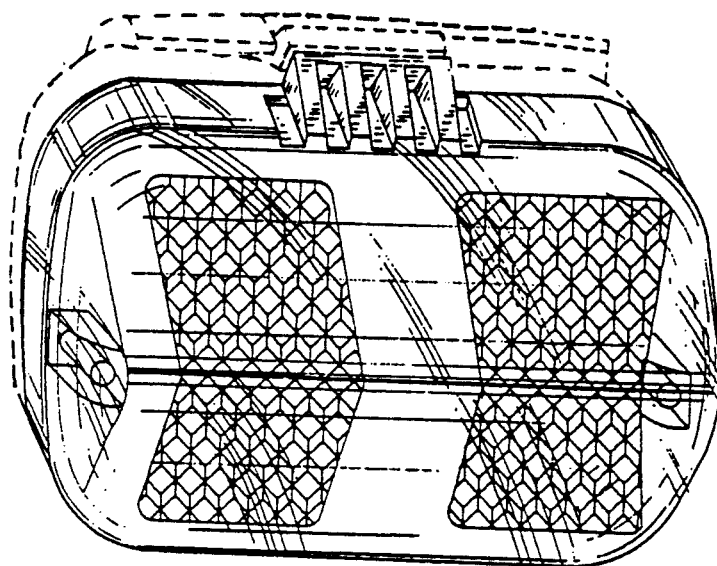


FIG. 8