

[54] PERSONAL COMPUTER

[75] Inventors: Douglas R. Grundstrom, San Jose; Dennis J. Boyle, Menlo Park; Nelson S. Au, Foster City; Michael J. Nuttal, Palo Alto; Matthew A. Herron, Menlo Park, all of Calif.

[73] Assignee: Dynabook Technologies Corporation, Westlake Village, Calif.

[**] Term: 14 Years

[21] Appl. No.: 288,108

[22] Filed: Dec. 22, 1988

[52] U.S. Cl. D14/106

[58] Field of Search D14/100, 106, 107, 113, D14/115; D18/1, 7, 11, 12; 235/145 A, 145 R; 312/208; 340/700, 706, 711, 712; 341/22, 23; 358/249, 254; 364/706-710; 400/489, 492, 496

[56] References Cited

U.S. PATENT DOCUMENTS

- D. 282,843 3/1986 Kurihara D14/100
D. 284,474 7/1986 Sawada D14/100
D. 291,442 8/1987 Kurihara D18/1 X
D. 303,250 9/1989 Ver Nooy et al. D14/106 X
D. 303,523 9/1989 Shiozawa et al. D14/106

FOREIGN PATENT DOCUMENTS

- 696188 1/1987 Japan D14/106

Primary Examiner—Susan J. Lucas
Assistant Examiner—Freda S. Nunn
Attorney, Agent, or Firm—Lyon & Lyon

[57] CLAIM

The ornamental design for a personal computer, as shown and described.

DESCRIPTION

FIG. 1 is a top, front, right side perspective view of a portable computer with the display being in the closed position showing our new design; FIG. 2 is a front elevational view thereof on an enlarged scale; FIG. 3 is a right side elevational view thereof; FIG. 4 is a left side elevational view thereof; FIG. 5 is a rear elevational view thereof on an enlarged scale; FIG. 6 is a top plan view thereof on an enlarged scale; FIG. 7 is a bottom plan view thereof on an enlarged scale; FIG. 8 is a front and right side perspective view thereof on a reduced scale the display being in the opened position; FIG. 9 is a front elevational view thereof on an enlarged scale; FIG. 10 is a right side elevational view thereof; FIG. 11 is a left side elevational view thereof; FIG. 12 is a rear elevational view thereof on an enlarged scale; FIG. 13 is a top plan view thereof on an enlarged scale; FIG. 14 is a bottom plan view thereof on an enlarged scale; FIG. 15 is a front elevational view thereof on an enlarged scale, the battery plate being removed; FIG. 16 is a rear elevational view thereof on an enlarged scale; FIG. 17 is a right side elevational view thereof; FIG. 18 is a left side elevational view thereof; and FIG. 19 is a bottom plan view thereof.



FIG. 1

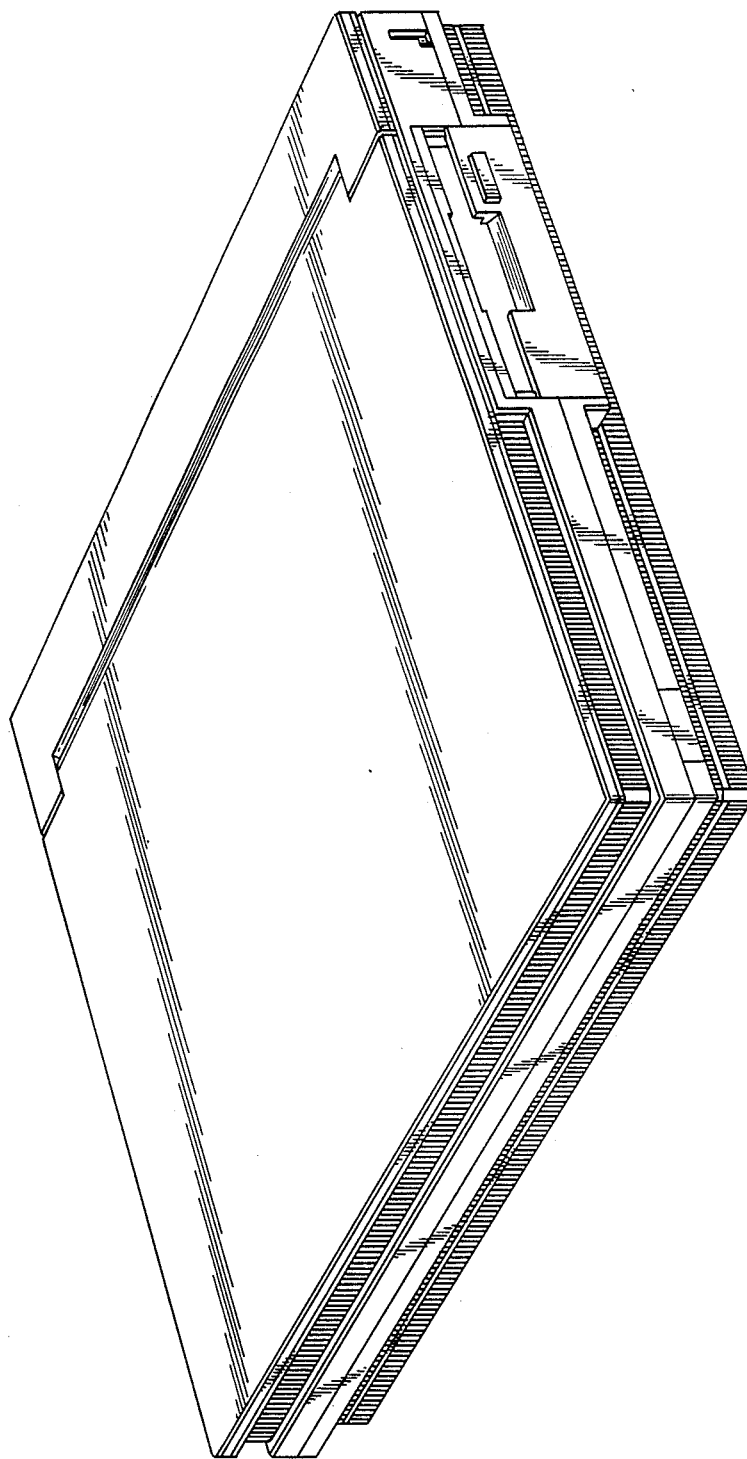


FIG. 2

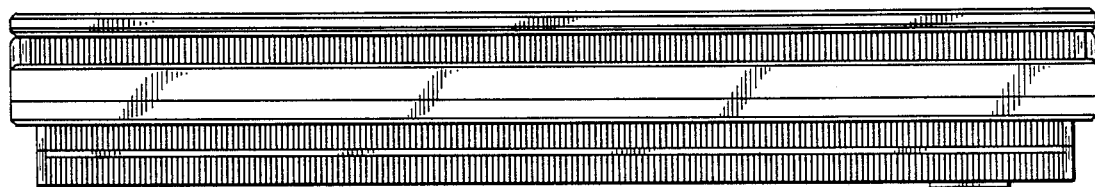


FIG. 3

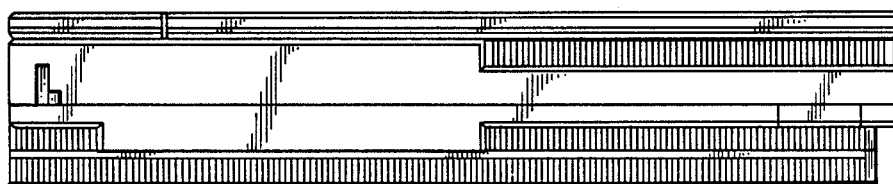


FIG. 4

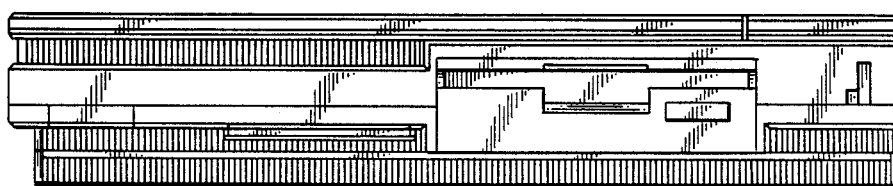


FIG. 5

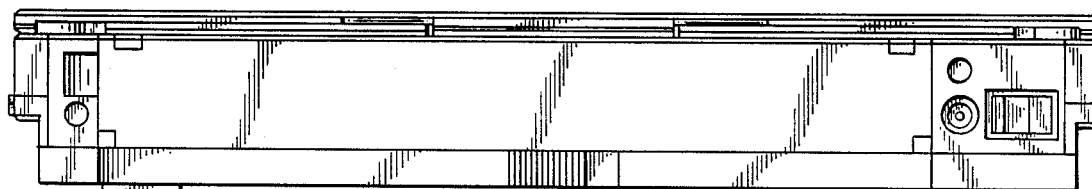


FIG. 6

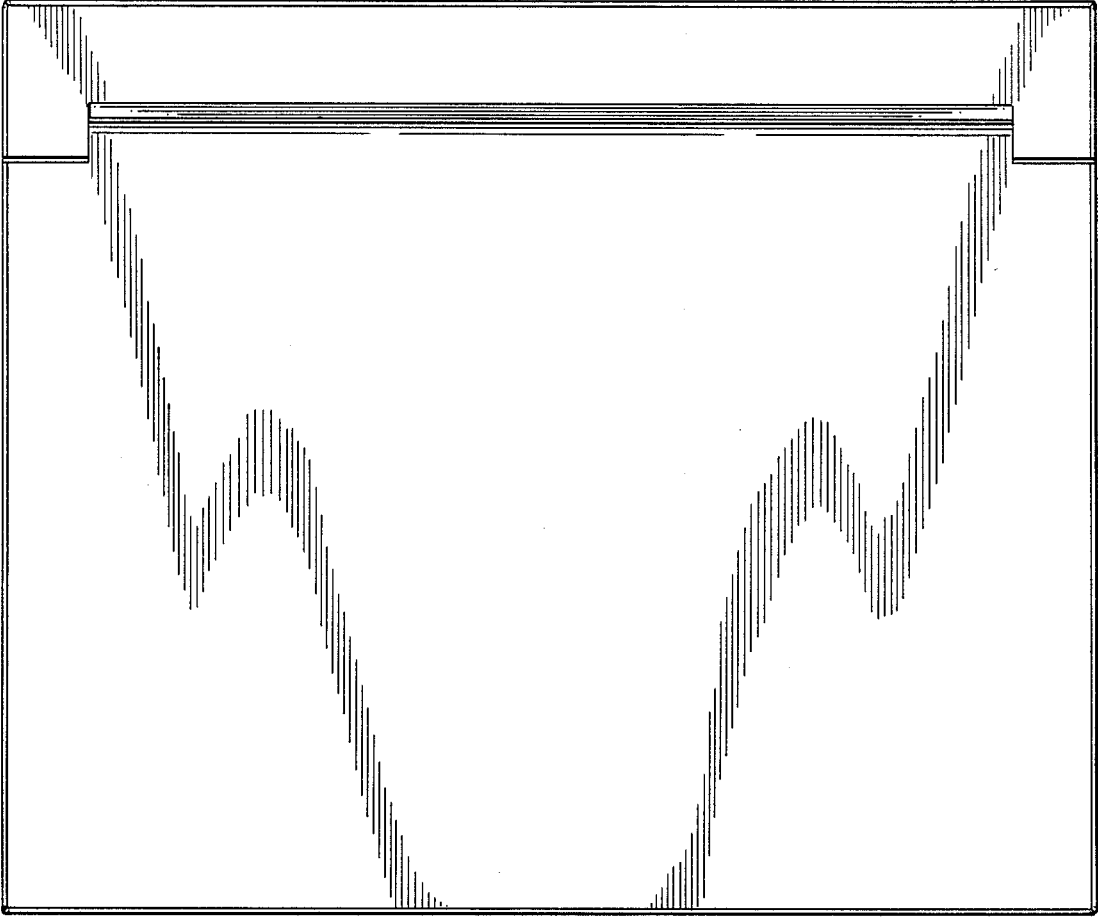
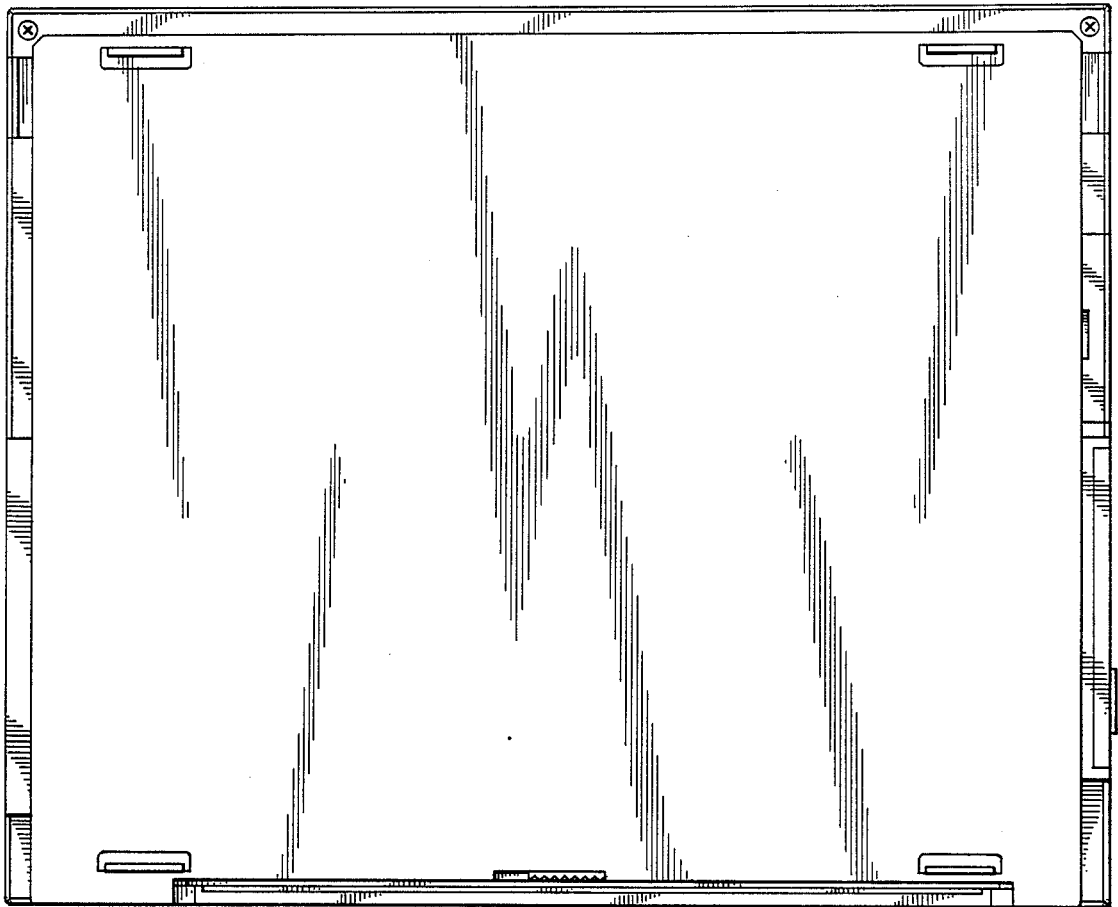


FIG. 7



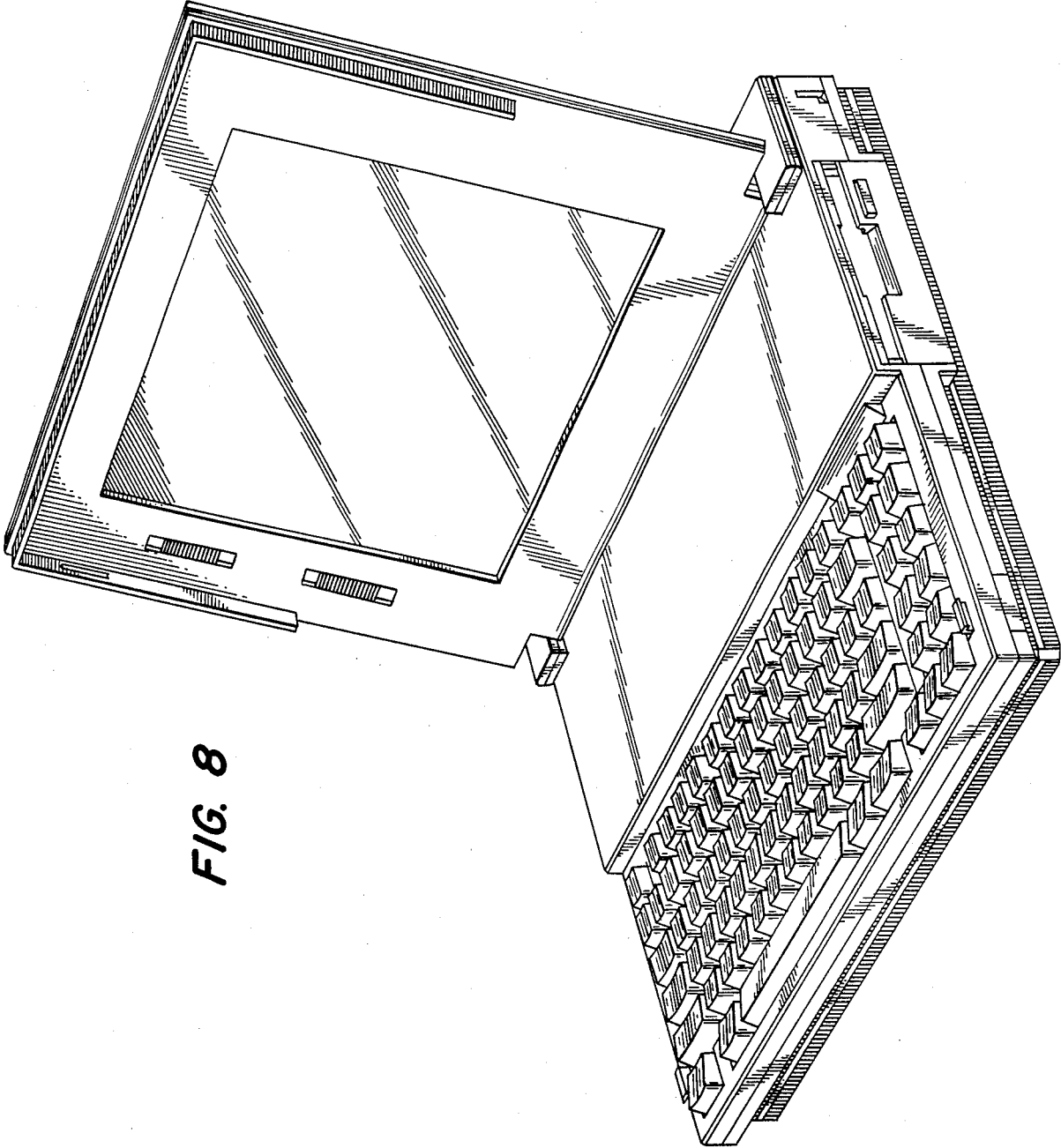
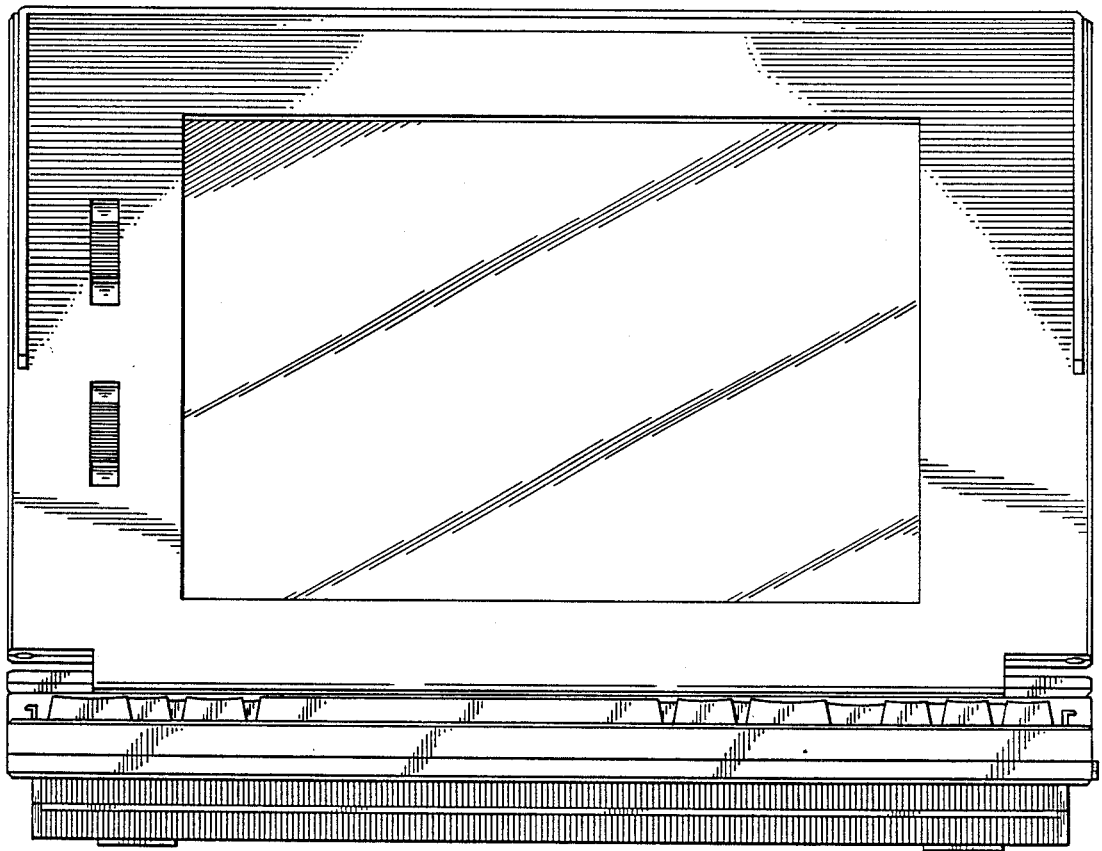


FIG. 8

FIG. 9



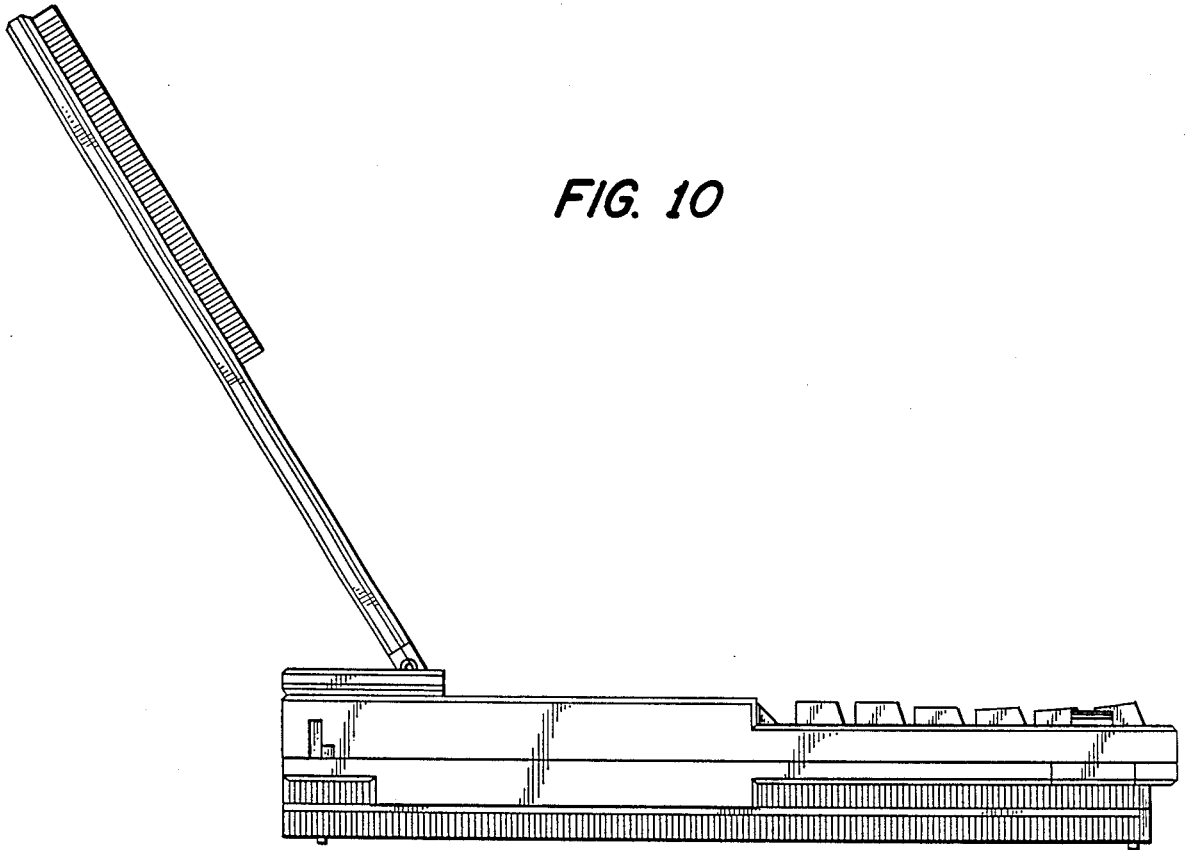


FIG. 11

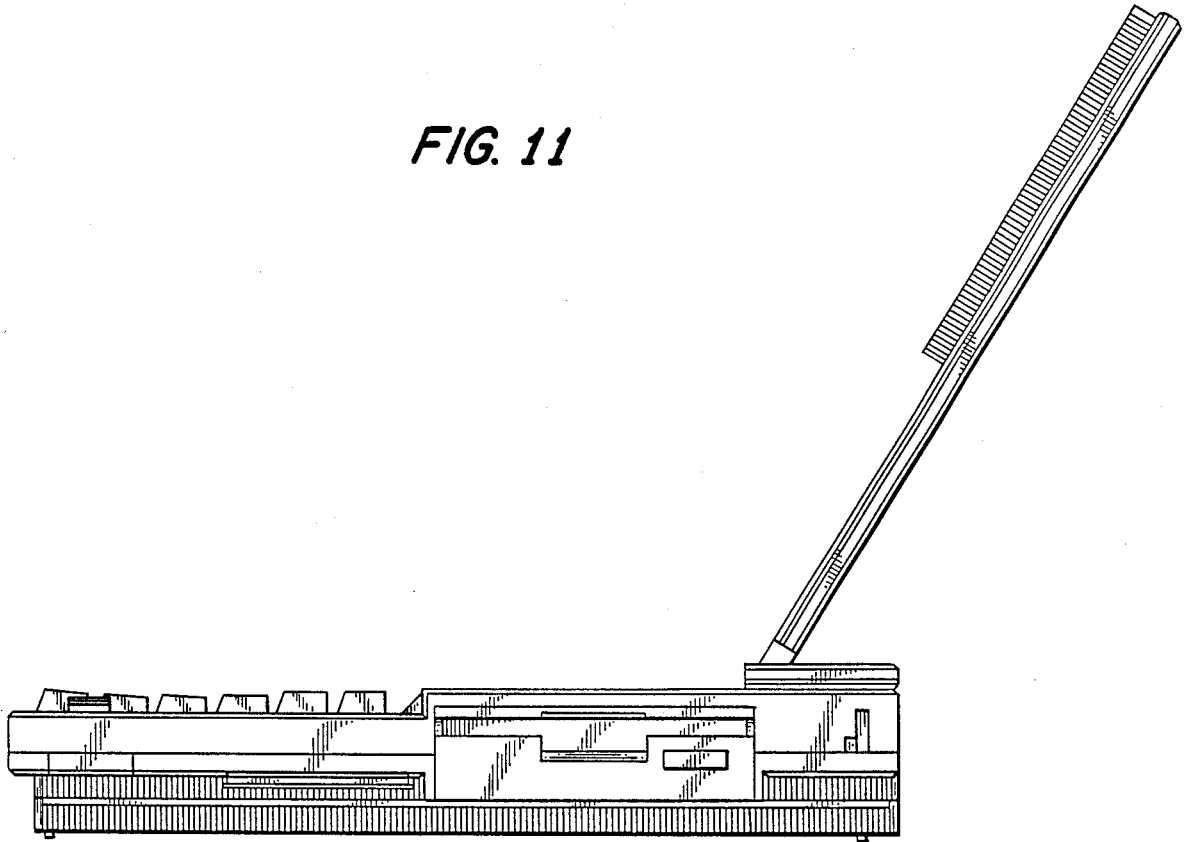
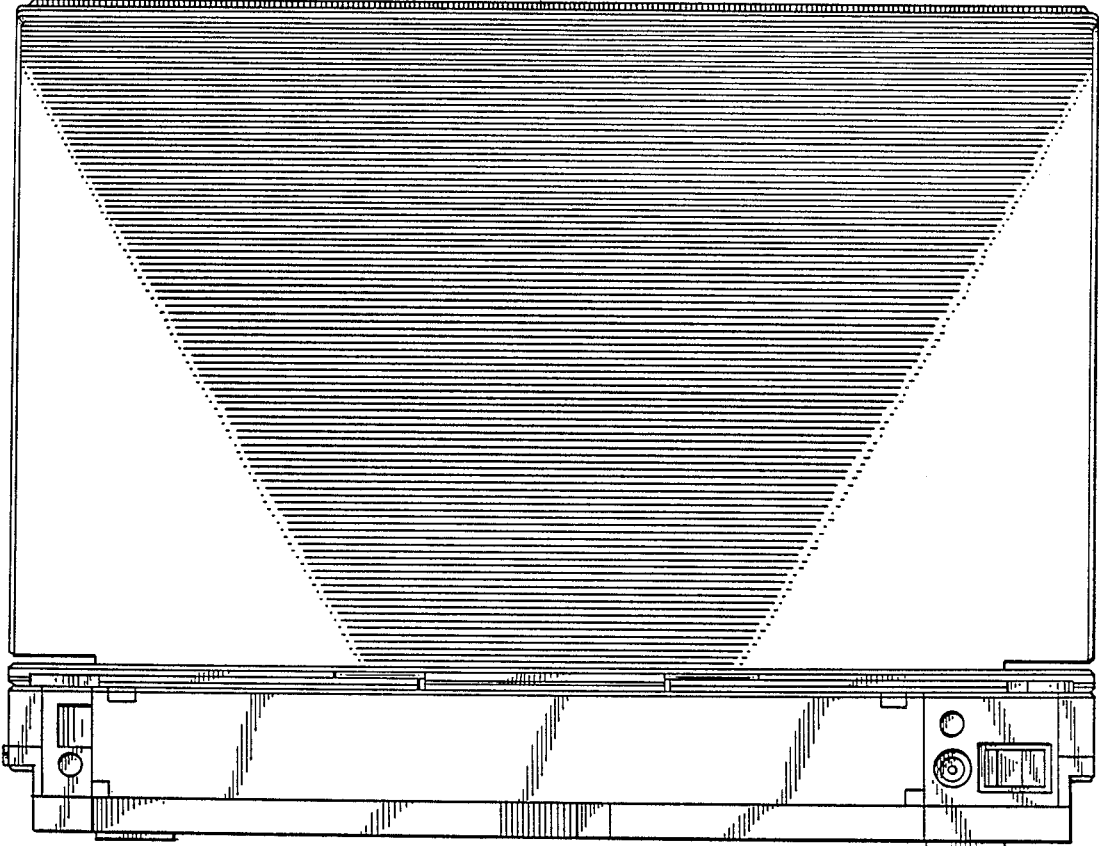


FIG. 12



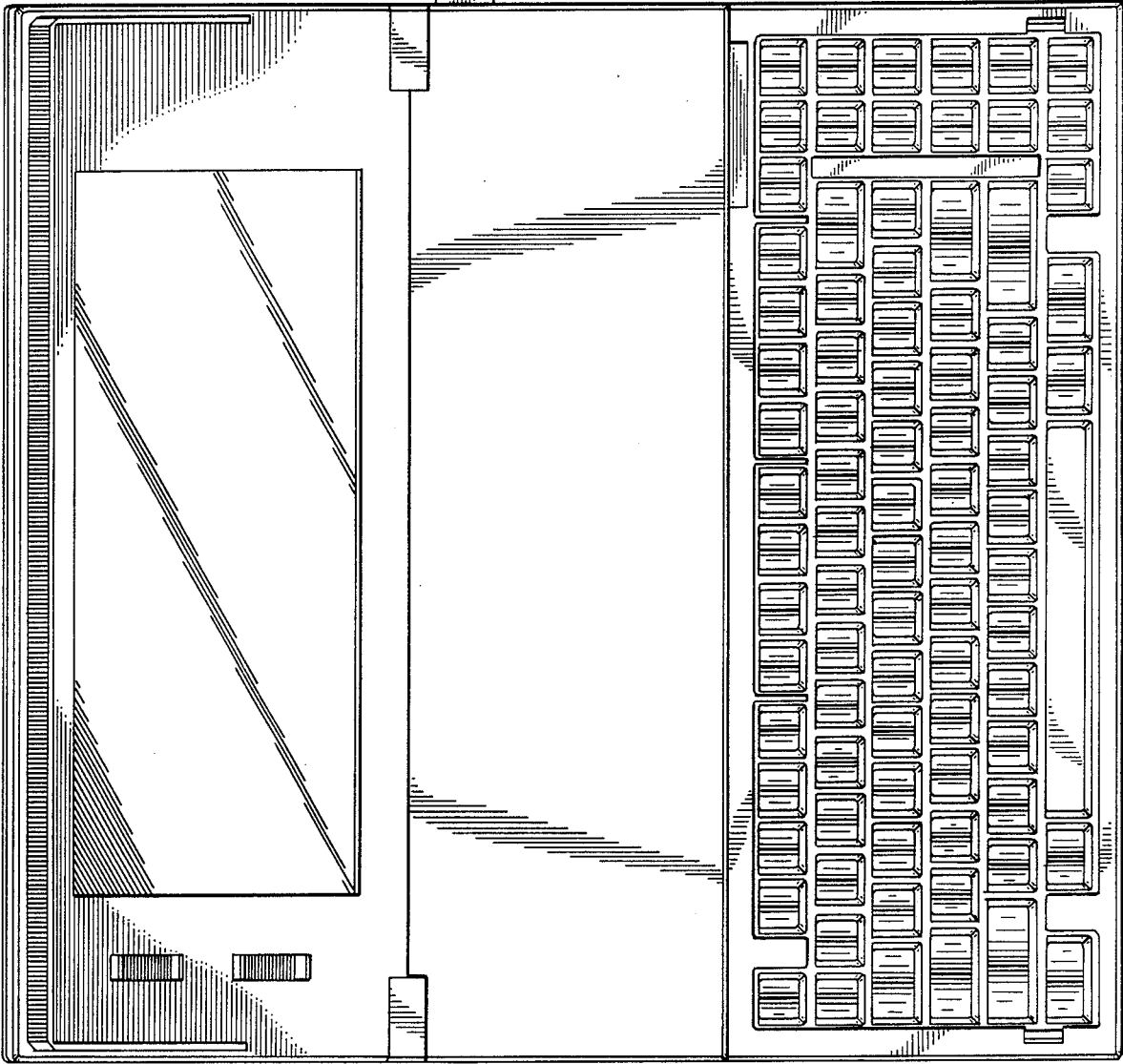


FIG. 13

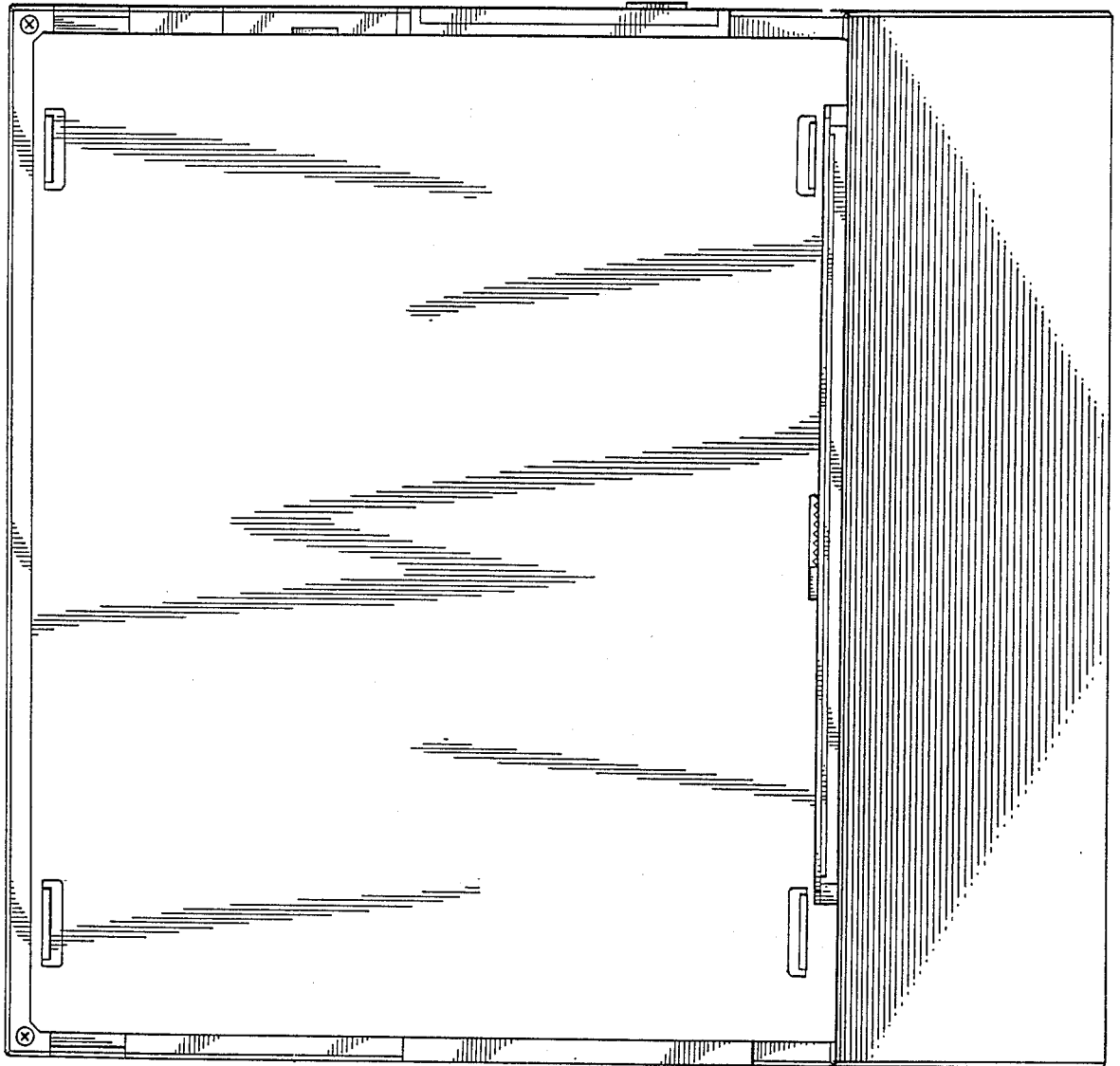


FIG. 14

FIG. 15

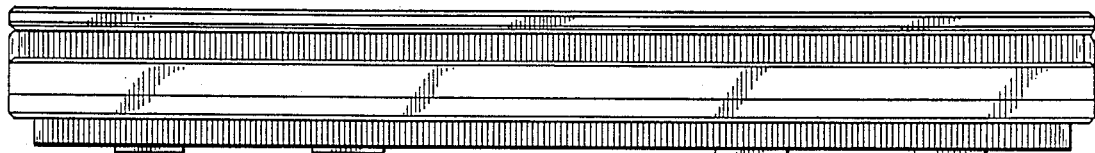


FIG. 16

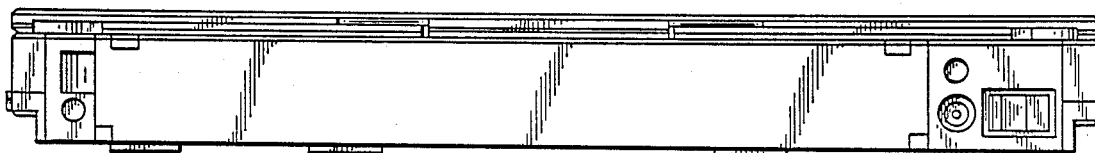


FIG. 17

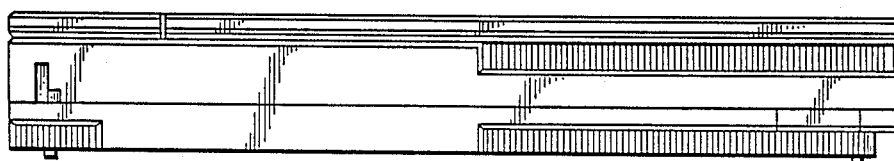


FIG. 18

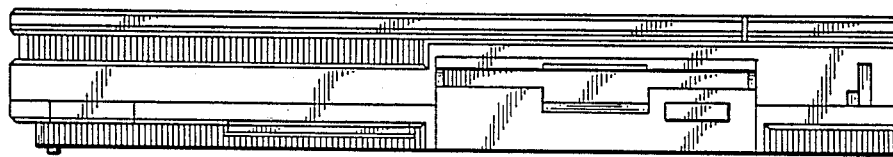


FIG. 19

