

United States Patent [19]

Hovey et al.

[11] Patent Number: Des. 274,729

[45] Date of Patent: ** Jul. 17, 1984

[54] HOME COMPUTER HOUSING AND DISPLAY SUPPORT

[75] Inventors: Dean A. Hovey, Los Altos; James Sachs, Menlo Park; Douglas R. Grundstrom, San Jose, all of Calif.

[73] Assignee: Trace Systems, Inc., Palo Alto, Calif.

[**] Term: 14 Years

[21] Appl. No.: 329,732

[22] Filed: Dec. 11, 1981

[52] U.S. Cl. D14/114; D6/466; D6/475

[58] Field of Search D14/100-114; 340/365 R, 700, 711, 720; D6/85, 155, 174, 181, 138, 177, 88, 184, 185, 188, 194; 248/441 R, 442.2, 447.2, 664, 346, 349; 358/248, 249, 254

[56] References Cited

U.S. PATENT DOCUMENTS

D. 247,116 1/1978 Ebner et al. D14/114
3,595,513 7/1971 Rehlaender 248/346
3,913,877 10/1975 Wiener D6/155 X

OTHER PUBLICATIONS

Imput-EZ Corp., CRT Terminal Stands, Catalog, p. 1, Terminal stand.

Primary Examiner—Susan J. Lucas

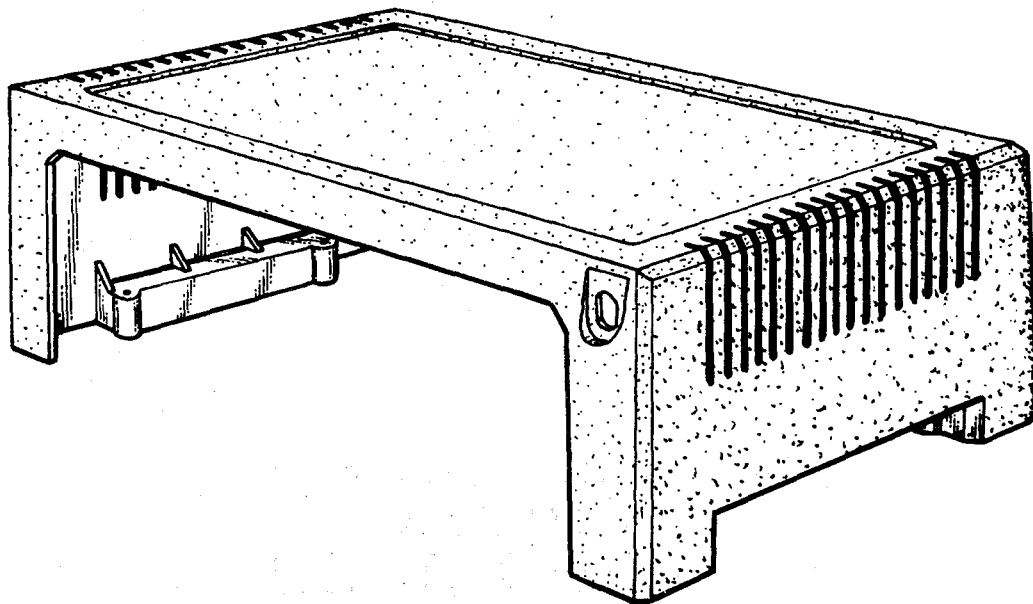
Attorney, Agent, or Firm—Limbach, Limbach & Sutton

[57] CLAIM

The ornamental design for a home computer housing and display support, as shown and described.

DESCRIPTION

FIG. 1 is a perspective view of a home computer housing and display support showing our new design; FIG. 2 is a side elevational view thereof on an enlarged scale, the opposite side being a mirror image; FIG. 3 is a rear elevational view thereof on an enlarged scale; FIG. 4 is a front elevational view thereof on an enlarged scale; FIG. 5 is a bottom plan view thereof on an enlarged scale; FIG. 6 is a rear perspective view of a home computer housing and display support showing our design.



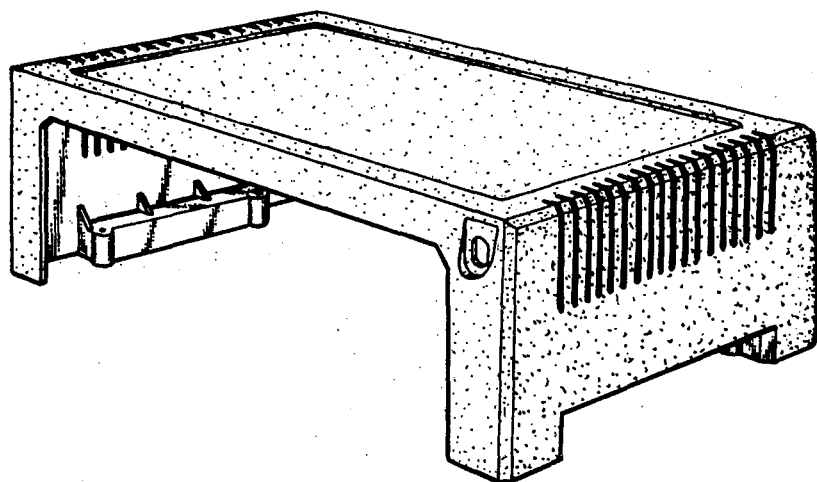


FIG. 1.

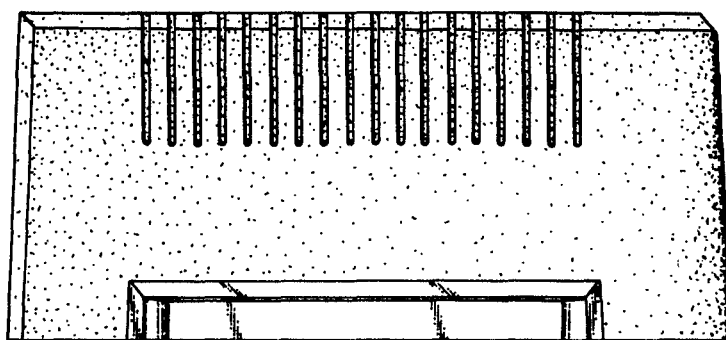


FIG. 2.

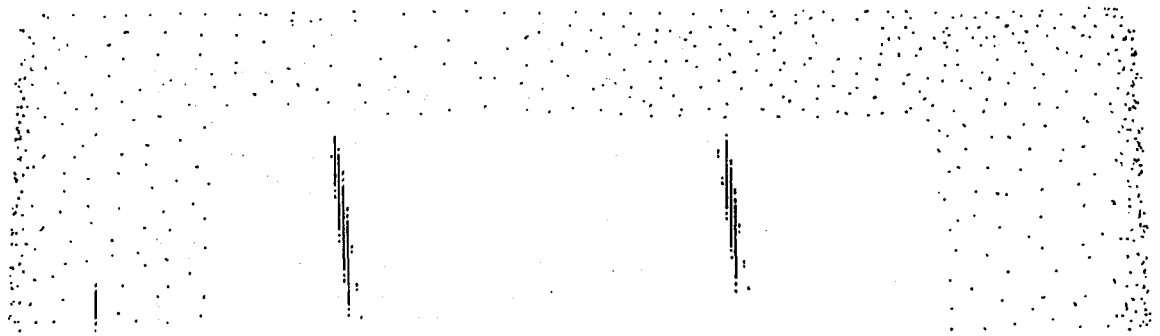


FIG. 3.

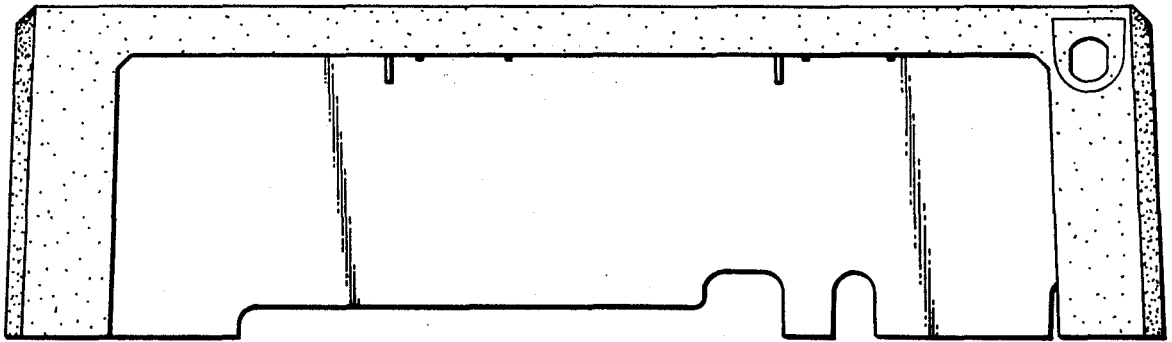


FIG. 4.

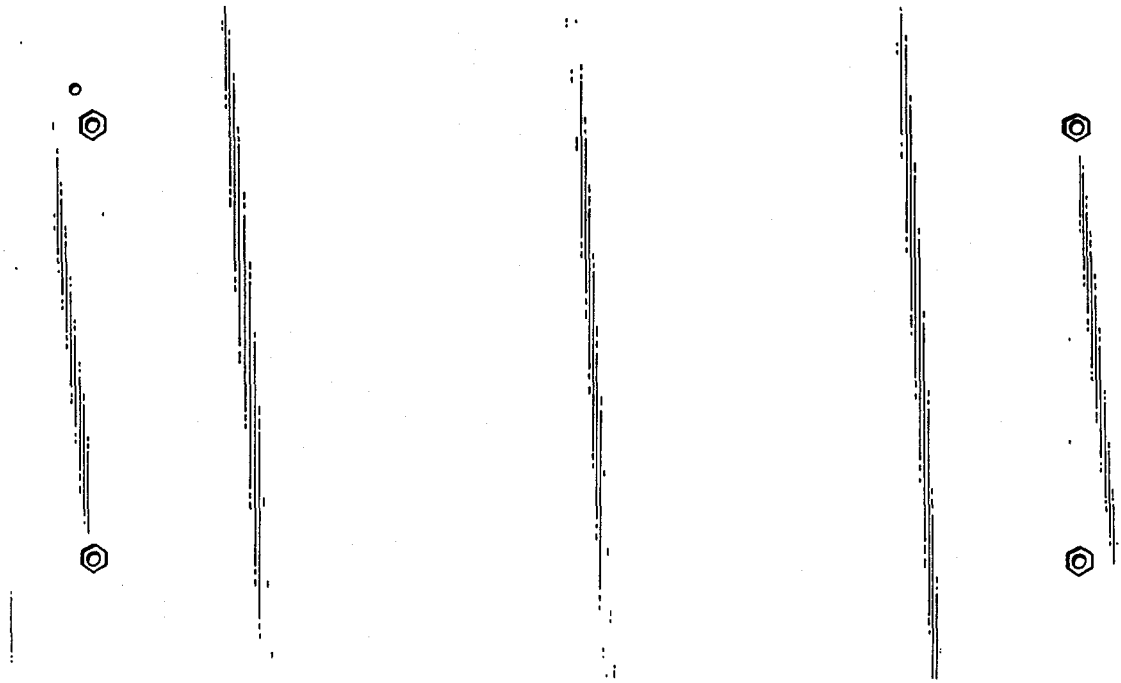


FIG. 5.

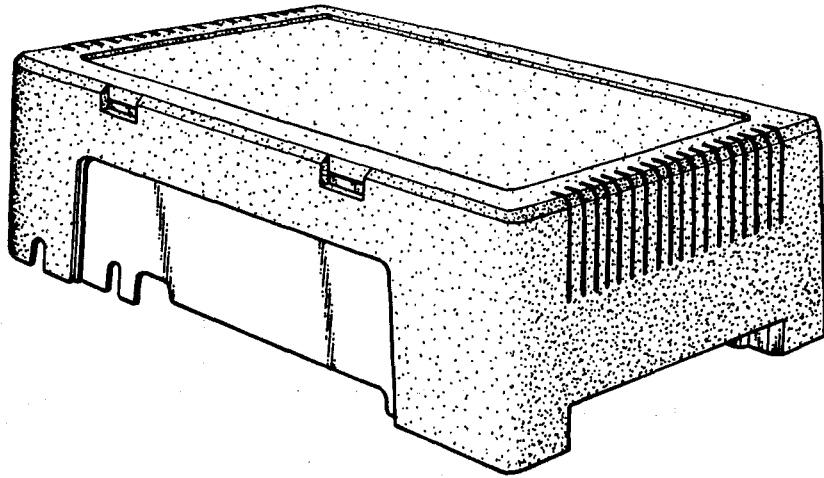


FIG. 6.